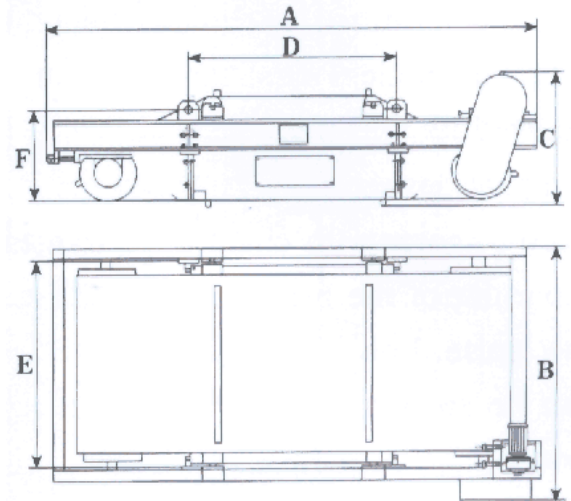


RCY-K Self-cleaning Permanent Magnet Separators with Stainless Steel Cladding Belt



FUSHUNLONGJI

**Sold by: International Magnetic Solutions Pty Ltd
21 Jura Street, Heatherbrae, NSW 2324, Australia.
Ph. +61 2 4987 3912 Fax +61 2 4987 7651**



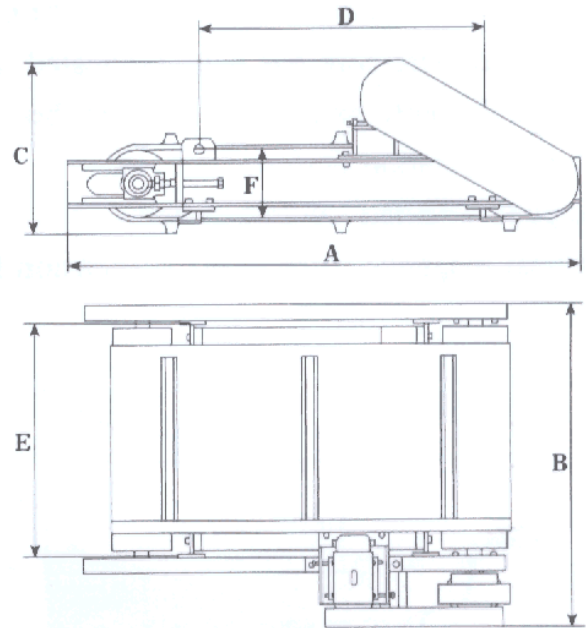
- Suitable for concrete recycling, construction, demolition and waste processing.
- 3mm or 5mm stainless steel cladding belt.
- Heavy-duty drive package.
- Withstand worst working conditions.

Technical Parameters of RCY-K

Model	Item Spec.	Belt Width mm	Suspension Height Rated(SHR) H mm	Magnetic Intensity at SHR mT	Belt Velocity Adaptive m/s	Catching Ability kg	Working Style	Driven Power kw	Outline Dimensions mm						Weight kg
									A	B	C	D	E	F	
RCY-K50		500	150	≥ 70	≤ 4.5	0.1-35	Continuously	1.5	1970	903	722	620	647	451	750
RCY-K65		650	200					1.5	2110	1053	722	770	797	451	930
RCY-K80		800	250					2.2	2320	1253	722	970	997	451	1240
RCY-K100		1000	300					3.0	2690	1450	803	1120	1190	451	1900
RCY-K120		1200	350					4.0	2890	1713	868	1320	1430	516	2542
RCY-K140		1400	400					4.0	3090	1913	868	1520	1630	516	3380

(For Reference Only)

Sold by: International Magnetic Solutions Pty Ltd
21 Jura Street, Heatherbrae, NSW 2324, Australia.
Ph. +61 2 4987 3912 Fax +61 2 4987 7651



Technical Parameters of RCY-Q

Item Model	Belt Width mm	Suspension Height Rated(SHR) H mm	Magnetic Intensity at SHR mT	Belt Velocity Adaptive m/s	Catching Ability kg	Working Style	Driven Power kw	Outline Dimensions mm						Weight kg
								A	B	C	D	E	F	
RCY-Q40	400	100	≥ 40	≤ 2.0	0.1-5	Continuously	0.75	1164	855	615	505	550	260	380
RCY-Q50	500	150	≥ 50	≤ 2.5			0.75	1322	1006	615	622	672	260	490
RCY-Q65	650	200	≥ 50	≤ 2.5			1.1	1492	1156	615	772	822	260	640
RCY-Q80	800	250	≥ 60	≤ 3.15	0.1-10		1.5	1712	1385	635	972	1022	260	850
RCY-Q100	1000	300	≥ 60	≤ 4.0			2.2	1882	1535	685	1122	1222	260	1300

(For Reference Only)