

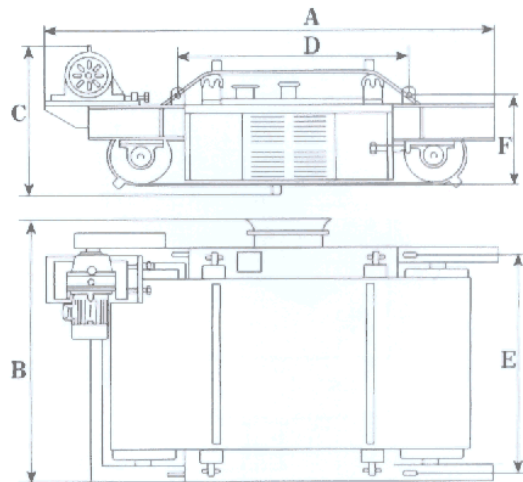
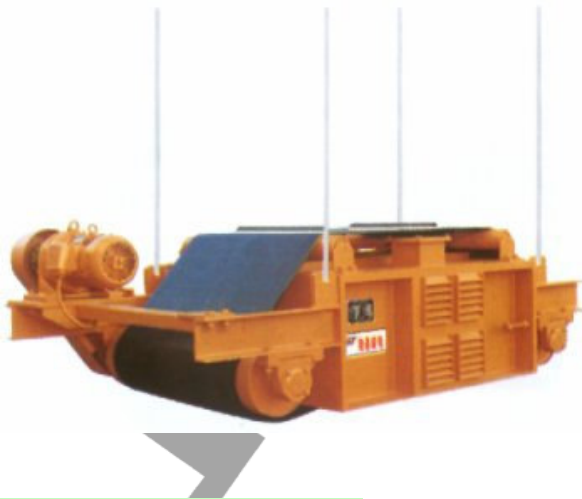
RCDC Self-cleaning Electromagnetic Separators



FUSHUNLONGJI

**Sold by: International Magnetic Solutions Pty Ltd
21 Jura Street, Heatherbrae, NSW 2324, Australia.
Ph. +61 2 4987 3912 Fax +61 2 4987 7651**

- Installed above the conveyor to remove scrap iron buried in thick material layer.
- Equipped with a tough, vulcanized rubber belt to remove scrap irons continuously.
- High-quality Aluminum or Copper wire used.
- Optional magnetic force at the suspension height rated: 500Gs, 700Gs, 900Gs, 1200Gs, 1500Gs or above which will be determined by the requirements of the client.
- Equipped with fan-cooling system.
- Heavy-duty construction. Compact design.
- Electric motor with chain drive transmission.
- Departure of the belt can be rectified automatically.
- Low noise. Low maintenance, much power saved.
- Can be suspended either crossbelt (perpendicular to the product flow) or inline (parallel above the product flow).



Technical Parameters of RCDC

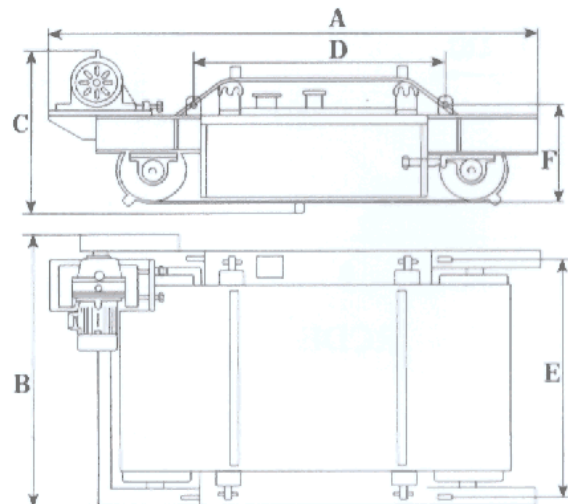
Item Model Spec.	Cooling Method	Belt Width mm	Suspension Height Rated(SHR) H mm	Excitation Power kw	Magnetic Intensity at SHR mT	Driven Power kw	Cooler Power kw	Outline Dimensions mm						Weight kg
								A	B	C	D	E	F	
RCDC-6	Fan Cooling	600	200	≤ 3	≥ 70	1.5	0.37	2240	1273	733	881	873	486	1030
RCDC-8		800	250	≤ 4.5	≥ 70	2.2	0.55	2465	1539	735	1240	1073	537	1830
RCDC-10		1000	300	≤ 6	≥ 70	3.0	0.55	2650	1727	821	1365	1273	650	2760
RCDC-12		1200	350	≤ 9.5	≥ 70	4.0	1.1	3090	2052	908	1660	1523	761	3355
RCDC-14		1400	400	≤ 12	≥ 70		1.1	3266	2243	974	1930	1723	841	4535
RCDC-16		1600	450	≤ 14.5	≥ 70	5.5	1.5	3564	2505	1032	2100	1930	945	6860
RCDC-18		1800	500	≤ 18	≥ 70	7.5	2.2	3910	3190	1550	2010	2130	1393	11800
RCDC-20		2000	550	≤ 31.5	≥ 70	7.5	4.4	4270	3330	1560	2180	2330	1337	16500

(For Reference Only)



**Sold by: International Magnetic Solutions Pty Ltd
21 Jura Street, Heatherbrae, NSW 2324, Australia.
Ph. +61 2 4987 3912 Fax +61 2 4987 7651**

- Installed above the conveyor to remove scrap iron buried in thick material layer.
- Equipped with a tough, vulcanized rubber belt to remove scrap irons continuously.
- High-quality Aluminum or Copper wire used.
- Optional magnetic force at the suspension height rated: 500Gs, 700Gs, 900Gs, 1200Gs, 1500Gs or above which will be determined by the requirements of the client.
- Optional stainless steel clad belt.
- Heavy-duty construction. Compact design.
- Electric motor with chain drive transmission.
- Departure of the belt can be rectified automatically.
- Low noise. Low maintenance.
- Can be suspended either crossbelt (perpendicular to the product flow) or inline (parallel above the product flow).



Technical Parameters of RCDD

Model	Item Spec.	Cooling Method	Belt Width mm	Suspension Height Rated(SHR) H mm	Excitation Power kw	Magnetic Intensity at SHR mT	Driven Power kw	Outline Dimensions mm						Weight kg
								A	B	C	D	E	F	
RCDD-6	Cross-ventilation		600	200	≤3	≥70	1.5	2320	1105	738	955	873	486	1230
RCDD-8			800	250	≤4	≥70	2.2	2475	1213	947	1185	1073	537	1760
RCDD-10			1000	300	≤9.5	≥70	3.0	2780	1550	950	1365	1273	650	2850
RCDD-12			1200	350	≤9.5	≥70	4.0	3085	1673	1046	1660	1523	761	4020
RCDD-14			1400	400	≤12	≥70		3420	1972	1160	1930	1723	841	5500
RCDD-16			1600	450	≤14.5	≥70	5.5	3680	2100	1235	2100	1930	945	6500
RCDD-18			1800	500	≤18	≥70	7.5	3910	2760	1550	2010	2130	1393	8400
RCDD-20			2000	550	≤31.5	≥70	7.5	4270	2880	1560	2180	2330	1337	11300

(For Reference Only)